

March 2009

Carpinteria Valley Water District

H₂KNOW

Headquarters Well Motor Gets a Cover

The District recently covered the Headquarters Well pump motor. The structure muffles the sound of the motor and provides protection from the elements.

The unique building slides into itself to allow easy access to the motor for maintenance and repairs.

Pictured below is the unit covering the motor, and below right, the condensed unit exposing the well pump motor.

Special Board Meeting at City Hall

**Wednesday, March 11, 2009
at 7:00 p.m.**

**Staff presentations about
next year's
Budget and Rates**

Everyone welcome!



Fix a Leak Week

March 16-20, 2009

www.epa.gov/watersense/fixaleak

March 16 to 20, 2009, marks the U.S. Environmental Protection Agency's WaterSense program's first "Fix a Leak Week," a time to remind Americans to check their household plumbing fixtures and irrigation systems for leaks. For more information visit, www.epa.gov/watersense/fixaleak.

El Distrito es bilingue. Favor de llamar (805) 684-2816 con cualquier pregunta sobre su cuenta o el uso de agua, estamos aqui para asistirlos.

South Coast Conduit (SCC) Repair

On February 17th, the Cachuma Operations and Maintenance Board (COMB) began repairs to an air vent on the South Coast Conduit (SCC) in the area of Foothill Road and El Carro Park. The project was completed in a day, without affecting water service to CVWD customers in the area.

Pressure Regulators

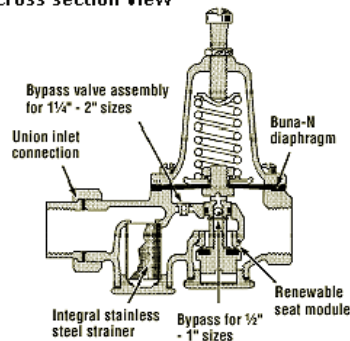
The Carpinteria Valley Water District area is divided into several "pressure zones". The CVWD standard for water pressure is between 65 to 75 pounds per square inch (psi), although it may vary depending on the location of your residence or business within the District.

Some areas may have too much water pressure, which may cause household appliances to malfunction. Installation of water pressure regulators in these areas is encouraged to provide protection to your house from unexpected water pressure surges.

The pressure regulator is a bell-shaped device and is typically installed on the inlet pipe, next to the hose bib and house valve. The regulators are preset by the manufacturer at about 50-60 psi. In most cases, they do not need to be adjusted. Incorrectly adjusting the regulator could cause water pressure that is too low or too high inside the home. CVWD cannot make repairs or adjust pressure regulators because they are considered part of a homeowners private water system. We recommend that you have a qualified plumber make adjustments.



cross section view



Shown above is a pressure regulator valve as well as a cross section view.

March Board of Directors Meetings

The Board Meetings for the month of March will be:

Wednesday, March 11th	7 p.m.	City Hall - Televised
Wednesday, March 25th	4 p.m.	5775 Carpinteria Avenue
		District Boardroom
		1301 Santa Ynez Avenue

Visit our website at www.cvwd.net for new and updated information.

Carpinteria Valley Water District Board of Directors

Frederick Lemere
President

June Van Wingerden
Vice President

James W. Drain
Robert R. Lieberknecht
Matthew T. Roberts

Board Meetings

CVWD's Board of Directors regularly meets on the 3rd or 4th Wednesday of each month.

Regular meetings begin at 4 p.m.,

are open to the public, and are held at

1301 Santa Ynez Ave.,
Carpinteria.

For more information on the meeting schedule, phone (805) 684-2816

Staff

Charles Hamilton
General Manager

Alex Keuper

Engineering
Bob McDonald
District Engineer

Brian King
Rhonda Gutierrez

Business
Norma Rosales
Business Manager

Esperanza Barbosa
Suzie Lara
Tootie Maier
Patty Rodriguez

Operations and
Maintenance
Omar Castro
O&M Manager

Jon Macias
Justin Martinez
Danny Rada
Greg Stanford
Sarah Strassburg-Salas